

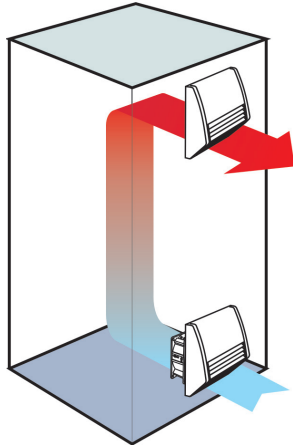
# FILTER FAN

FF 018 | 21m<sup>3</sup>/h to 102m<sup>3</sup>/h



- > Very low noise
- > Time-saving installation
- > Minimal depth in enclosure
- > UV resistant
- > Functional design

Filter fans are used to provide an optimum climate in enclosures. The interior temperature of an enclosure can be reduced by channelling cooler filtered outside air into the enclosure thus expelling heated internal air. The resulting air flow prevents formation of localised hot pockets and protects the electronic components from overheating. These filter fans are intended for indoor use. The plastic used for the hood is highly UV light resistant.



Enclosure air-conditioning using a filter fan and exit filter



**TECHNICAL DATA**

<b>Axial fan, ball bearing</b>	service life 50,000h at +25°C (+77°F), 65% RH fan body aluminium, rotor plastic
<b>Connection</b>	2 wires with pressure clamps 2.5mm <sup>2</sup> , length 100mm
<b>Casing (filter fan and exit filter)</b>	plastic according to UL94 V-0, light grey
<b>Hood (filter fan and exit filter)</b>	plastic according to UL94 V-0, light grey; UV light resistant according to UL746C (f1)
<b>Mounting frame</b>	with double-sided industrial adhesive band for fixing to the outside of enclosure; certain operating circumstances can make the additional use of screws necessary (see drilling template); a template for the enclosure cut-out is included in the delivery of the filter fans
<b>Filter mat</b>	G4 acc. to DIN EN 779, filtering degree 94%
<b>Filter material</b>	synthetic fibre with progressive construction, temperature resistant to +100°C, self-extinguishing class F1, moisture resistant to 100% RH, reusable - cleaning by washing or vacuuming
<b>Operating/Storage temperature</b>	-10 to +70°C (+14 to +158°F) / -40 to +70°C (-40 to +158°F)
<b>Operating/Storage humidity</b>	max. 90% RH (non-condensing)
<b>Protection class</b>	I (earthed)
<b>Approvals</b>	UL File No. E234324, EAC, VDE only: 230V

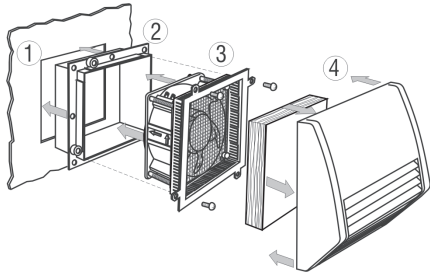
**Special features**

- > The **self-adhesive seal** of the mounting frame prevents dust and water from entering the cabinet.
- > **Functional design** of the intake and exit fan hoods very effectively prevents direct intrusion of falling water and dust. The advantage is that the filter mat does not get so quickly contaminated with dirt and thus does not need to be exchanged so often.
- > The **air channeling** makes the filter fan particularly quiet in operation.
- > Functional and **modern design** enables time-saving assembly and maintenance.
- > The **direction of air flow can easily be switched** by reversing the axial fan (sizes 1 to 3).
- > EMC versions and other voltages on request.

**FILTER FAN FF 018**

Art. No.	Operating voltage	Air volume, free flow	Air volume with exit filter	Current consumption	Power consumption	Average noise level (DIN EN ISO 4871)	Depth in enclosure	Enclosure cut-out	Weight (approx.)	Protection type
01800.0-00	230VAC, 50Hz	21m <sup>3</sup> /h	16m <sup>3</sup> /h	80mA	13W	31db (A)	45mm	97 x 97mm + 0.4	0.6kg	IP54
01801.0-00	230VAC, 50Hz	55m <sup>3</sup> /h	42m <sup>3</sup> /h	100mA	15W	40db (A)	58mm	125 x 125mm + 0.4	1.0kg	IP54/IP55 <sup>1</sup>
01802.0-00	230VAC, 50Hz	102m <sup>3</sup> /h	68m <sup>3</sup> /h	100mA	15W	39db (A)	86mm	176 x 176mm + 0.4	1.3kg	IP54/IP55 <sup>1</sup>
01800.0-01	120VAC, 60Hz	24m <sup>3</sup> /h	18m <sup>3</sup> /h	160mA	13W	31db (A)	45mm	97 x 97mm + 0.4	0.6kg	IP54
01801.0-01	120VAC, 60Hz	63m <sup>3</sup> /h	48m <sup>3</sup> /h	180mA	15W	40db (A)	58mm	125 x 125mm + 0.4	1.0kg	IP54/IP55 <sup>1</sup>
01802.0-01	120VAC, 60Hz	117m <sup>3</sup> /h	78m <sup>3</sup> /h	180mA	15W	39db (A)	86mm	176 x 176mm + 0.4	1.3kg	IP54/IP55 <sup>1</sup>

<sup>1</sup> Using fine filter mats type F5/M5 increases the protection type to IP55, but reduces the air volume



Installation sketch

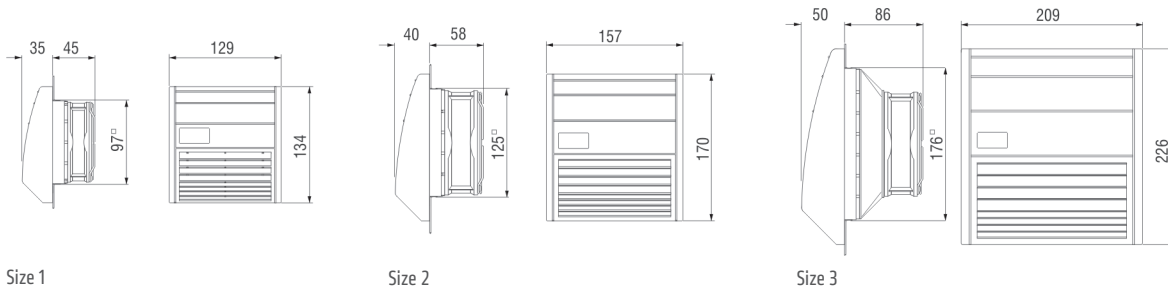
**Time-saving assembly and maintenance**

STEGO's filter fans are easily installed by one person **from outside** the cabinet.

- 1.) Make cut-out in the cabinet wall. The cut edge of the cabinet opening should be free of dirt, filings and grease. A template for the enclosure cut-out is included in the delivery of the filter fan.
- 2.) Remove protective film from the sealing strips on the mounting frame. Press mounting frame into the cabinet opening. The frame stays permanently in the cabinet. (For size 176mm and up we recommend additional screw fixing.)
- 3.) Electrically connect the axial fan using the clip connectors. Push the unit into the mounting frame. Fix using screws.
- 4.) Insert the filter mat in the hood. Clip on. Finished.

Changing the filter mat or fan is quickly done by one person. To change the filter mat simply remove the filter hood, insert the new mat and snap the hood back again. No tools required. Maintenance of the fan can easily be done without removing the mounting frame (2).

**TECHNICAL DRAWINGS**

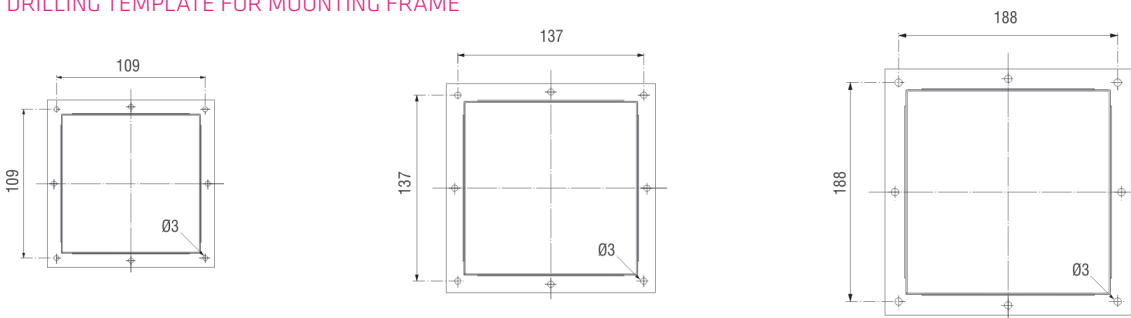


Size 1

Size 2

Size 3

**DRILLING TEMPLATE FOR MOUNTING FRAME**



**EXIT FILTER EF 118**

Art. No.	Depth in enclosure	Enclosure cut-out	Weight (approx.)	Filter mat	Protection type
11800.0-00	16mm	97 x 97mm + 0.4	0.3kg	G4 acc. to DIN EN 779, filtering degree 94%	IP54
11801.0-00	16mm	125 x 125mm + 0.4	0.4kg	G4 acc. to DIN EN 779, filtering degree 94%	IP54/IP55 <sup>1</sup>
11802.0-00	16mm	176 x 176mm + 0.4	0.6kg	G4 acc. to DIN EN 779, filtering degree 94%	IP54/IP55 <sup>1</sup>

<sup>1</sup> Using fine filter mats type F5/M5 increases the protection type to IP55, but reduces the air volume

**FILTER MAT FM 086/FFM 086**

Filter mat	89 x 89mm	118 x 118mm	168 x 168mm
G4 (1 packaging unit = 3 pcs.)	Art. No. 08600.0-00	Art. No. 08601.0-00	Art. No. 08602.0-00
F5/M5 (1 packaging unit = 3 pcs.)	-	Art. No. 08604.0-00	Art. No. 08605.0-00