

EXPLOSION-PROOF THERMOSTAT

REX 011 | 15 °C, 25 °C (T6)



- > For areas with explosion and firedamp hazard
- > High switching capacity
- > Compact Design
- > Set temperature
- > Ready-to-use with strain relief
- > Temperature class T6

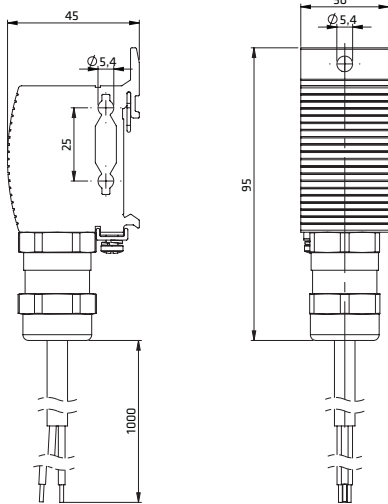
Compact, small mechanical thermostat offering a high response accuracy/time, small switch temperature difference, and a very long service life (switching cycles). This thermostat of temperature class T6 (85 ° max.) is utilised for the regulation of heaters within control and switch cabinets, as well as measuring equipment located in areas with explosion hazard, underground mines and mines susceptible to firedamp. The high switching performance allows for direct control of heaters.



TECHNICAL DATA

Temperature class	T6
Ex Protection type	Ex II 2 GD
Gases	Ex db IIC T6 Gb
Dusts	Ex tb IIIC T85°C Db IP66
Mine applications	I M2 Ex db I Mb
Ambient temperature	-60 to +60 °C (-76 to +140 °F)
Sensor element	thermostatic bimetal
Service life	> 100,000 cycles
Max. switching capacity	AC 250 V 10 A ¹ DC 24 V 1 A
Min. switching capacity	DC 1.5 V 5 mA
Max. inrush current	AC 16 A for 12 s
Connection	silicone cable (halogen-free) 3 x 1 mm ²
Connection PE	1.0 to 2.5 mm ²
Mounting	clip for 35 mm DIN rail, EN 60715 screw fixing M5, optional widthwise mounting
Casing	aluminium, silver anodised
Dimensions	95 x 45 x 30 mm
Weight	~ 0.3 kg
Fitting position	variable
Storage temperature	-60 to +85 °C (-76 to +185 °F)
Operating/Storage humidity	< 90 % RH (non-condensing)
Protection type/Protection class	IP66 / I (earthed)
Approvals	EPS 16 ATEX 1 118 X IECEx EPS 16.0054X IN METRO DNV 18.0011 X EAC TC RU C-FR.Г508.В.02639

¹ currents above 4 A affect the switch temperature difference



Art. No.	Cable Length	Contact type (1-pole)	Switch temperature	Switch temperature difference
01185.0-00	1 m	Contact breaker (NC)	+15 °C (±3 K tolerance)	5 K (±3 K tolerance)
01185.1-00	1 m	Contact breaker (NC)	+25 °C (±3 K tolerance)	5 K (±3 K tolerance)
01185.0-01	2 m	Contact breaker (NC)	+15 °C (±3 K tolerance)	5 K (±3 K tolerance)
01185.1-01	2 m	Contact breaker (NC)	+25 °C (±3 K tolerance)	5 K (±3 K tolerance)